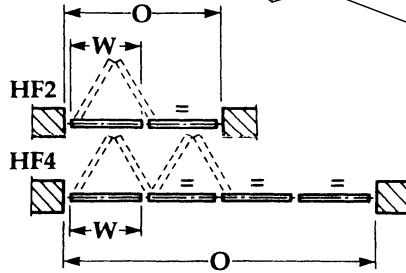
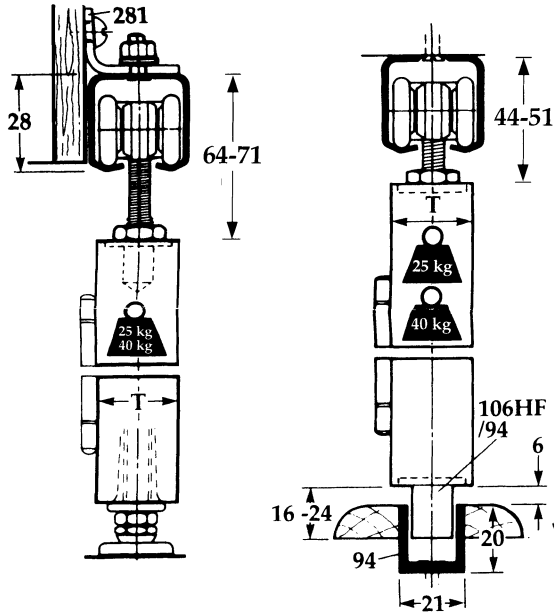
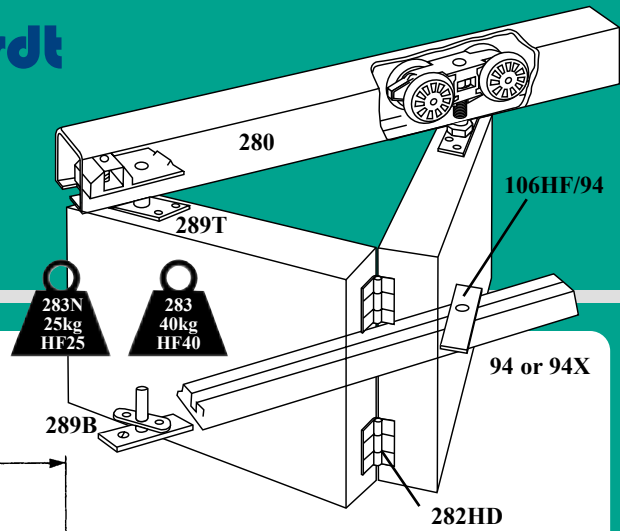


HUSKY FOLDING

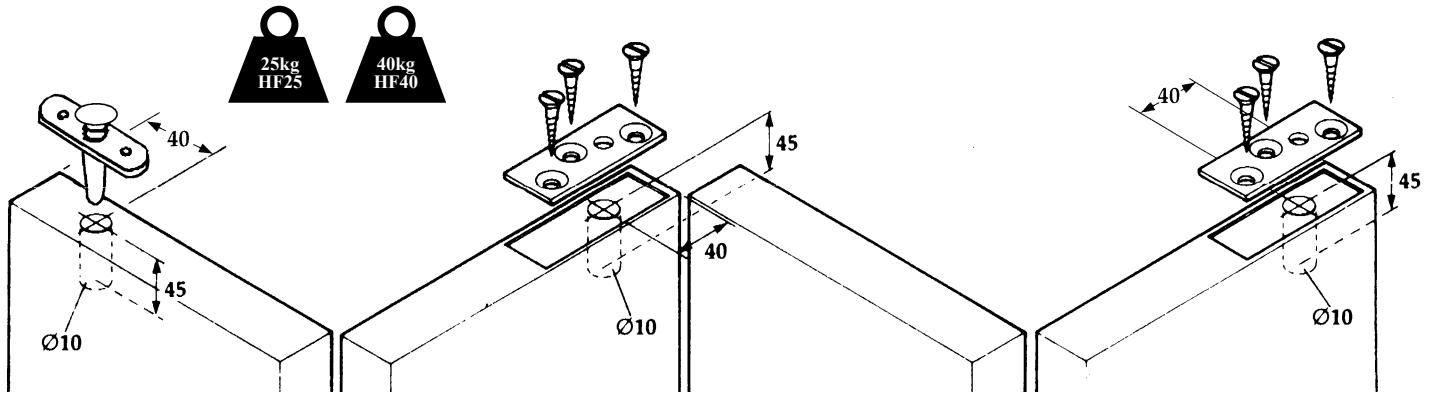
25KG or 40KG

THE FOLDING WARDROBE AND ROOM DIVIDERS

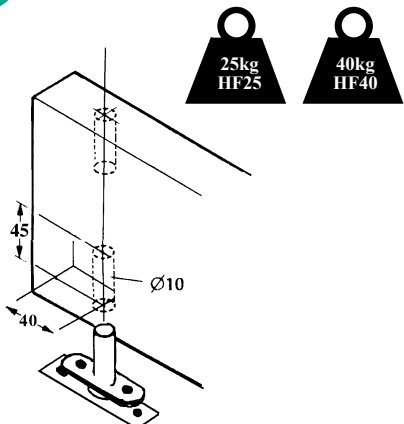


	Max Weight	W	T	O
HF25	25kg	600mm	20-44mm	2400mm
HF40	40kg	750mm	20-44mm	3000mm

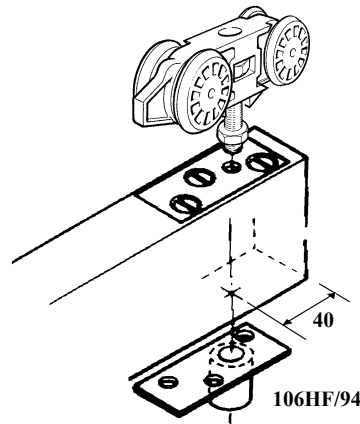
1 POSITION AND SECURE PIVOT AND HANGER APRON PLATES



2 FIT BOTTOM PIVOT ASSEMBLY

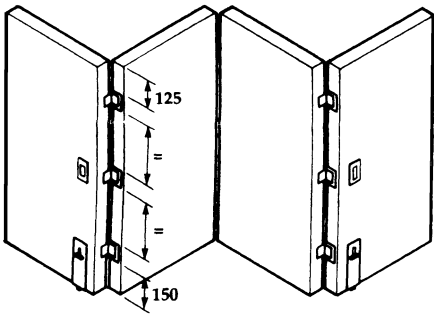


3 ATTACH HANGER TO APRON PLATE(S) & BOTTOM GUIDE (IF APPLICABLE)

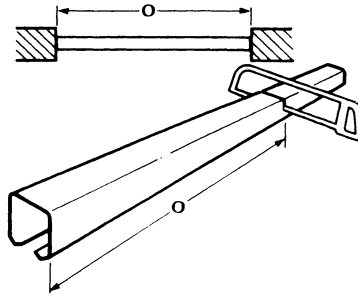


⚠ 106HF/94 -HF25			
W	0 → 449mm		✗
	450 → 600mm		✓
H	0 → 2099mm		✗
	2100 → 2400mm		✓
	0 → 11kg		✗
	15kg → 25kg		✓

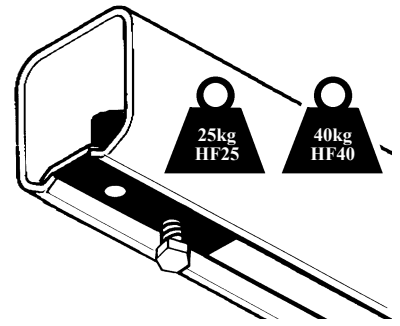
4 POSITION AND SECURE HINGES



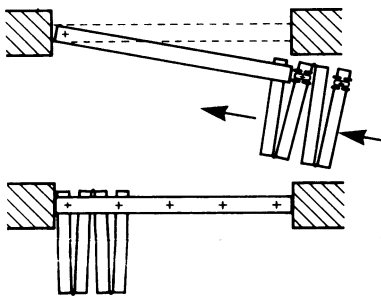
5 CUT TRACK TO SIZE



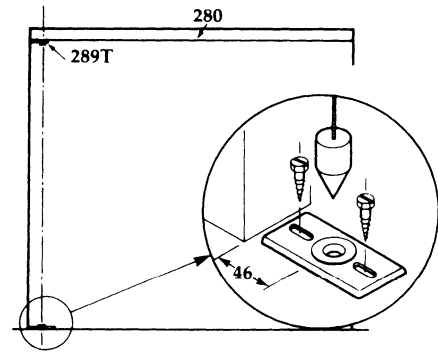
6 POSITION AND SECURE TOP BEARING PLATE



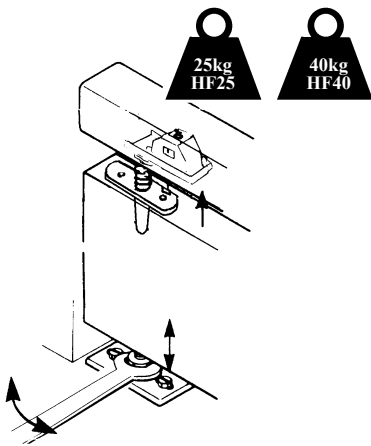
7 SLIDE DOORS ON TO TRACK



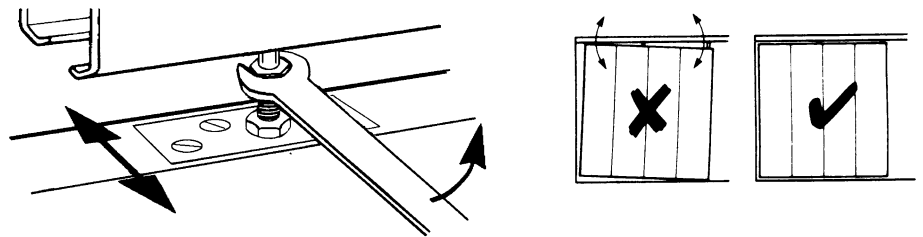
8 LOCATE AND SECURE BOTTOM PIVOT PLATE



9 ADJUST DOOR HEIGHT



10 ALIGN DOORS



11 DOOR CONFIGURATION OPTIONS

